


折叠后尺寸：100×100mm、单面展开尺寸：100×500mm、材质：80克书纸、双面印刷

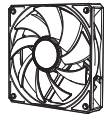

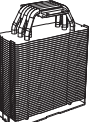





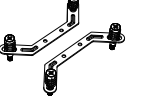

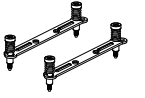
CPU COOLER

CC-2177
QUICK INSTALL GUIDE

Part List

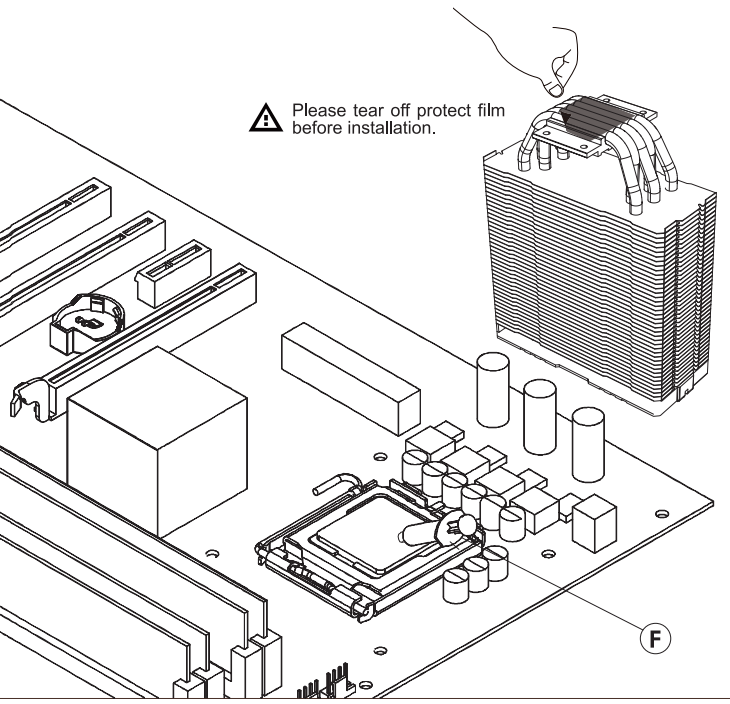
Intel: LGA1700/1200/115X/ AMD: AM5/AM4

A Backward air flow 	B Fan Forward air flow 	C Radiator 
D M3 screws 	E Fastening brackets 	F Thermal grease 

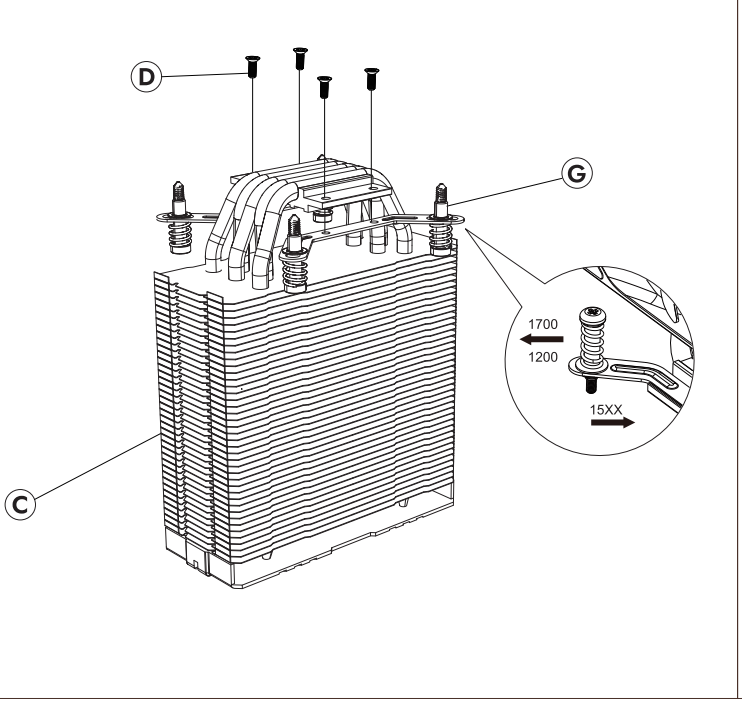
Intel kit (LGA1700/1200/115X)	Intel kit (LGA1700/1200/115X)	AMD kit (AM5/AM4)
G Intel buckle 	H Intel backplane 	I AMD buckle 

STEP 1 - INTEL/AMD

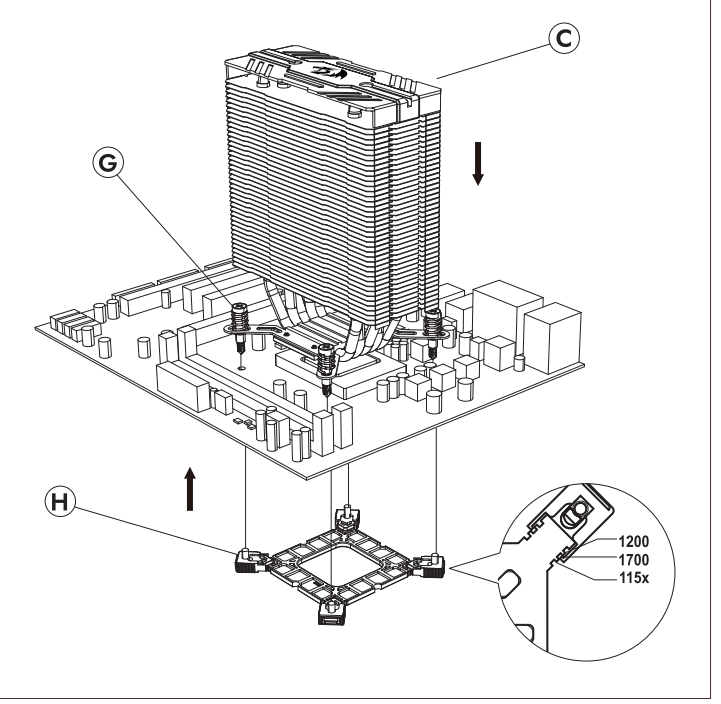
⚠ Please tear off protect film before installation.



STEP 2 - INTEL

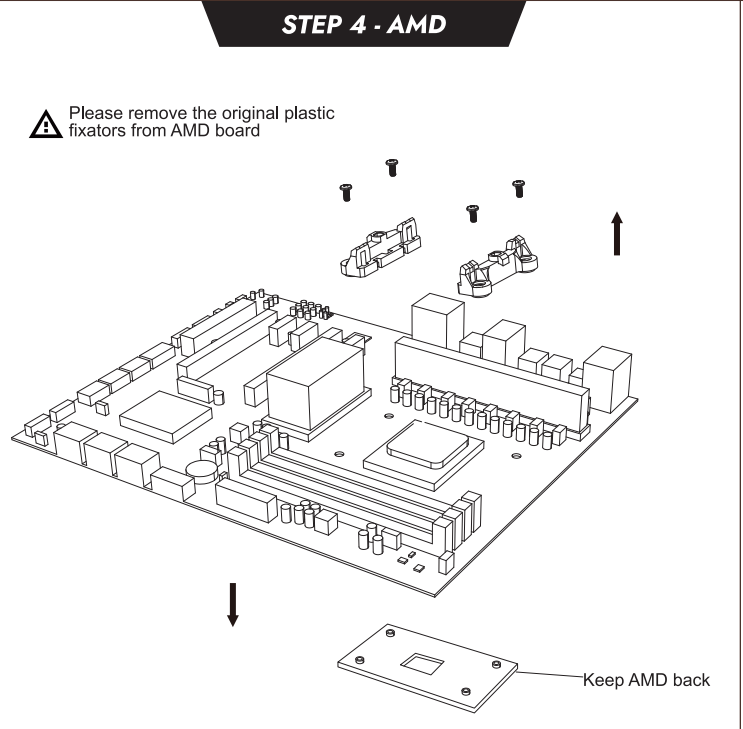


STEP 3 - INTEL



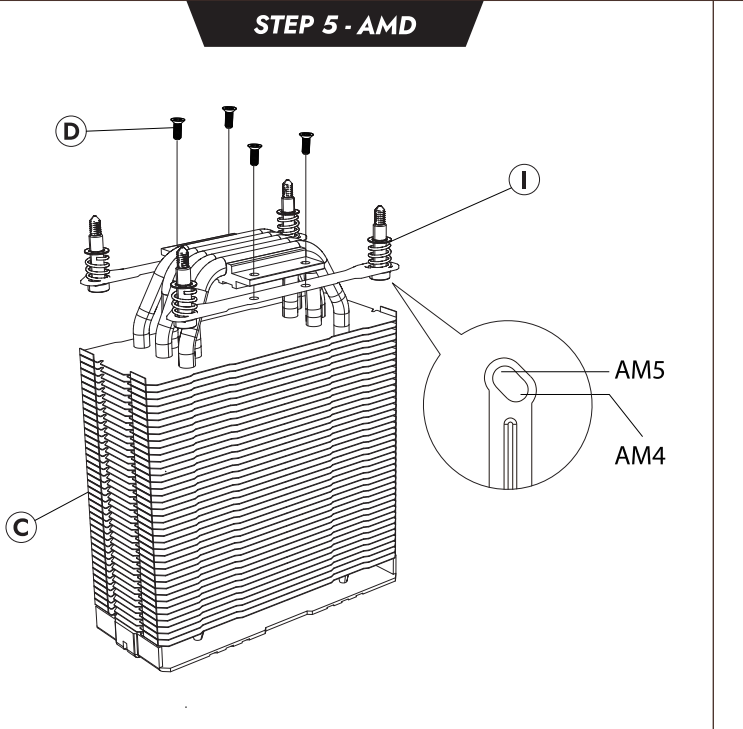
STEP 4 - AMD

⚠ Please remove the original plastic fixators from AMD board



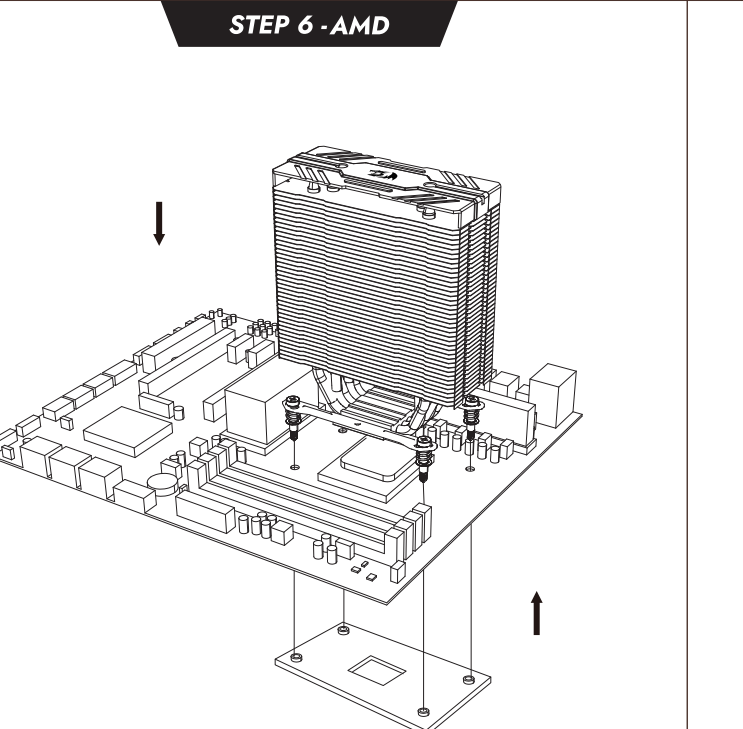
Keep AMD back

STEP 5 - AMD

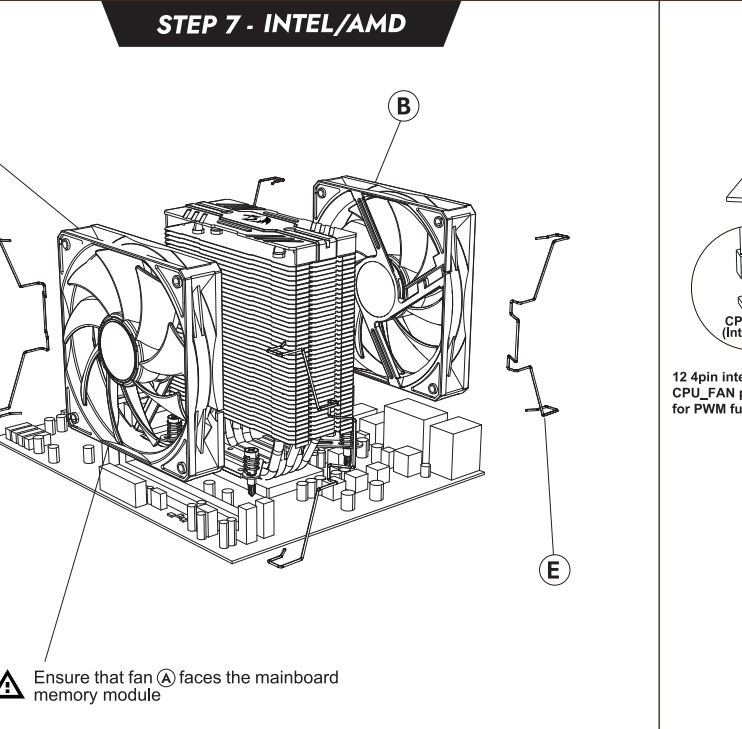


AM5
AM4

STEP 6 - AMD

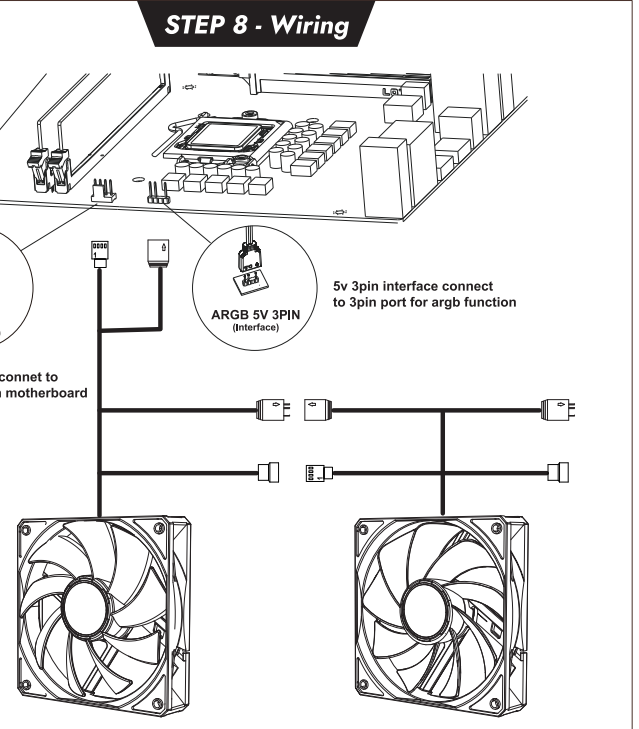


STEP 7 - INTEL/AMD



⚠ Ensure that fan (A) faces the mainboard memory module

STEP 8 - Wiring



12 4pin interface connet to CPU_FAN port on motherboard for PWM function

5v 3pin interface connect to 3pin port for argb function