


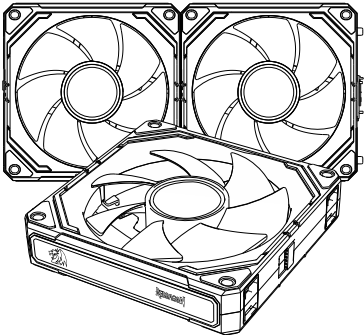
对折,单黑说明书
 材质:120g铜版纸
 成品尺寸:150*100mm 双面印刷



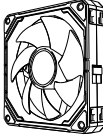






GC-F012 ARGB FAN

Installation Guide

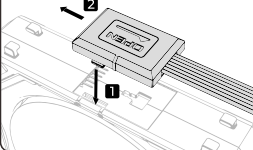


ACCESSORIES

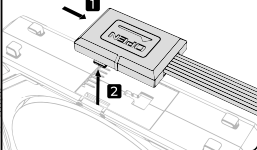
ARGB Fan  1PACK:1 PCS PACKAGE:3PCS	Rhythmic Controller  PACKAGE:1PCS
Controller  1PACK:1 PCS PACKAGE:1 PCS	Fan Screw  1PACK:4 PCS PACKAGE:12 PCS
Water Cooling Screw  1PACK:4 PCS PACKAGE:12 PCS	

Cablest Allation And Removal

Power Cord Installation



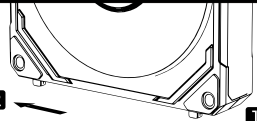
Power Cord Disassembly



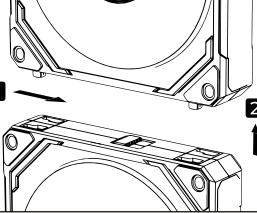
1

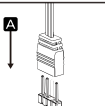
Fan Assembling/Removal

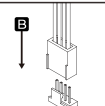
Fan Installation

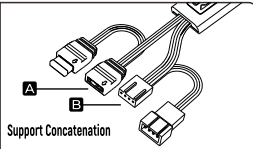


Fan Disassembly




AURA


PWM


 Support Concatenation

2

Mini Controller Instructions

M KEY:
 Click to switch to the next lighting mode, cycling through all modes;
 long press the "M" key to enter/exit music mode, and in music mode,
 click to switch the type of music mode.


S KEY:
 Click to switch the light speed, cycling through 5 levels;
 -in the single-color constant brightness mode, click to adjust the light brightness,
 cycling through 4 levels;
 -in music mode, press the S key to adjust the sensitivity, cycling through 3 levels;
 -in any mode, long press the S key for 2 seconds to turn off the light.
 (After the light is turned off, press the M or C key to restore the light.)

C KEY:
 In any mode, click the C key to switch to the single-color constant brightness mode,
 and click again to switch the color, cycling through 7 colors.

RESET KEY:
 (If the "RESET SW" connector of the MINI controller is connected to the "RESET SW"
 connector on the case)
 -Click the RESET key on the case to switch modes (including music mode);
 -long press the RESET key on the case for 2 seconds to cycle through single-color mode,
 multi-color mode, music mode, and turning off the light in sequence.

Sound Rhythm:
 Built-in listening function, automatically recognizes music rhythm
 to achieve a wonderful interaction between light and music, moving with the sound.

NOTE:
 A single connector can connect up to 6 fans at the same time, and one controller
 can connect up to 10 fans. Overloading the installation may damage the device.



3